

HINO

FG 1628

500 Series



* Illustration may contain items not standard to the model

ADR 80/03 Model
4 x 2 Cab Chassis

KEY FEATURES

- Vehicle Stability Control (VSC) with ASR
- Polished Aluminium Wheels
- Cruise Control
- Hino Stop Start System (HSSS) (Manual models only)
- Reverse Camera
- Easy Start (ES) (Manual models only)
- Drivers SRS Airbag
- Heated & Electrically Operated External Mirrors
- ISRI 6860/870 Drivers seat with integrated Safety Belt
- ECE R-29 Cab Strength Certified

KEY SPECIFICATIONS

GVM.	16,000kg
GCM.	32,000kg
Power	280hp/206kW
Torque	883Nm
Transmissions	Six-speed Synchromesh Manual Six-speed Allison Automatic
Nominal Wheelbases	3.7m, 4.3m, 5.0m, 5.5m, 6.1m, 6.4m
Max. Nominal Body Length[#]	4.9m, 6.0m, 7.2m, 7.9m, 8.8m, 9.2m

A Toyota Group Company

 **HINO**
A BETTER CLASS OF TRUCK



FG 1628

Engine & Driveline Specifications

ENGINE

Model	J08E-WA
Max. Output (ISO Net)	280hp/206kW @ 2,500 RPM
Max. Torque (ISO Net)	883Nm @ 1,500 RPM
Max. Engine Speed	2,700 RPM
Engine Compliance	ADR 80/03 using Euro 5 STD
Type	Turbocharged & Intercooled, 6 cylinder in-line, overhead camshaft & fluid cooled
Combustion System	Direct Injection
Bore & Stroke	112 x 130mm
Piston Displacement	7.687L
Compression Ratio	18.0:1
Engine Oil Capacity	13.5L
Coolant Fluid Capacity	Auto: 25L Manual: 21.5L
Fuel Injection System	Electronic control common-rail type
Air Intake System	Stack-type
Air Cleaner	Dual paper elements
Air Compressor	Single cylinder, fluid cooled 85 x 40mm
Fan Clutch	Equipped
Exhaust	Horizontal
Emission Control System	Selective Catalytic Reduction (SCR)
Hino Stop Start System (HSSS)	Manual models only
Engine Immobilizer	Equipped

CLUTCH (Manual Models only)

Model	CS-380
Type	Dry single plate with damper springs
Facing material	Organic
Facing outside diameter	380mm
Control	Hydraulic with air booster

TRANSMISSION & GEAR RATIOS

Make & Description	Automatic		Manual	
	Allison 3000 series 6 speed with Electronic Control		Hino MX06 6 speed with Cable Control	
Type	Double Overdrive		Single Overdrive	
Gear Ratios	1	3.487	1	6.515
	2	1.864	2	4.224
	3	1.409	3	2.441
	4	1.000	4	1.473
	5	0.750	5	1.000
	6	0.653	6	0.702
	Rev	5.027	Rev	6.991
Torque convertor & Ratio	TC 415	2.35		
Rear axle Ratio	6.428		6.428	

PERFORMANCE

Calculations based on 16.0 t GVM with 11R22.5 drive tyres		
Transmission	Automatic	Manual
Wheelbase variants	S, M, ML, L, XL & XXL	M, L, XL, & XXL
Engine RPM @ 100 km/h	2,200	2,370
Max theoretical speed (km/h)	122	115
Gradeability tan θ (%) @ GVM	60	50.1
Speed limited to (km/h)	100	

BRAKES

Type	Full Air, dual circuit, "S"cam
Drum & Lining sizes	Front : 410 x 150mm
Diameter x Width	Rear : 410 x 220mm
Auto adjusters	Equipped
Vehicle Stability Control (VSC)	Equipped
Anti-lock Braking System (ABS)	Equipped
Anti-Slip Regulator (ASR)	Equipped
Air Dryer	Equipped
Easy Start (ES)	Manual models only
Park Brake	Spring Brake acting on rear wheels
Exhaust Brake	Equipped

AXLE, SUSPENSION & LOAD LIMITS

		Front Axle Model	MF 78IR
FRONT	Type	I-Beam, Reverse Elliot	
	Suspension	Taper leaf springs with shock absorbers & stabiliser	
	Spring Dimensions	1,525 x 80 x 19mm x 1	
	Length x Width x Thickness x Number	1,525 x 80 x 20.5mm x 3	
	Spring Rate	32.4 kgf/mm	
	Axle Limit (including suspension)	6,500 kg	
	Tyre Limit	7,100 kg	
		Rear Axle Model	SH16
REAR	Type	Fully floating, single reduction, hypoid	
	Suspension	Semi-elliptic Multi Leaf	
		Main	Auxiliary
	Spring Dimensions	1,400 x 90 x 12 x 4	
	Length x Width x Thickness x Number	1,400 x 90 x 13 x 6	900 x 90 x 10 x 10
	Spring Rate	53.6 kgf/mm	101.1 kgf/mm
	Axle Limit (including suspension)	10,000 kg	
Tyre Limit	11,600 kg		

WHEELS & TYRES

Material	Polished Aluminium
Wheel type	10-stud disc (ISO) 335 PCD
Rim size (in)	22.5 x 8.25 - 165mm offset
Tyre size	Front: 295/80R22.5 152/148 Rear: 11R22.5 148/145
Number of tyres	7
Spare Tyre Carrier	Equipped (Except for Short and Medium)

FUEL TANK

Wheelbases	Short & Medium	ML, L, XL & XXL
Material	Steel	Aluminium
Capacity	200L	390L
Lockable cap	Equipped	
Pre Filter & sedimenter	Equipped	
AdBlue® tank capacity	59L	

STEERING

Type	Telescopic & tilt steering column with locking device. Recirculating ball with internal Power Steering
Steering Angles	Inner 49°
	Outer 34°



FG 1628

Cab, Instrumentation & Chassis

CAB DETAILS

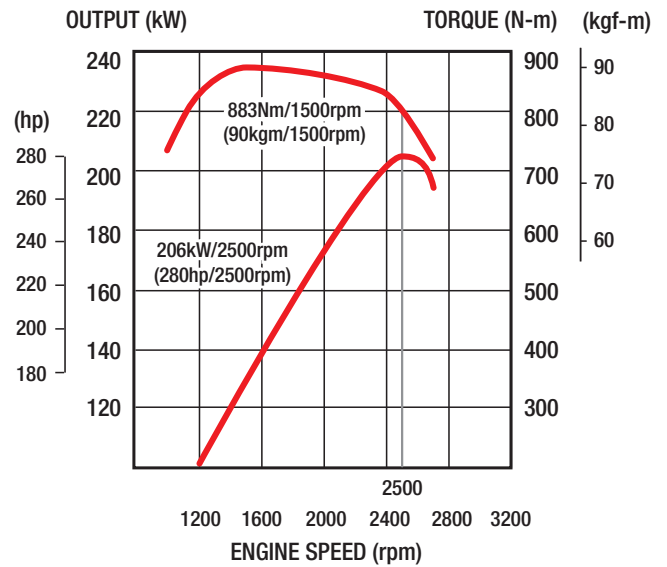
Type	Forward control, all-steel construction mounted on full floating coil spring suspension with electro hydraulic tilt mechanism
ECE R-29 Cab strength	Compliant
Drivers SRS Airbag	Equipped
Seating capacity	Three (two for FG8JF1A-WHU)
Driver's seat	ISRI 6860/870 with urethane foam pads, high-back, lumbar support, multi adjustable, air suspended, with integrated safety belt
Side passenger's seat	Urethane foam pads, high-back & reclining seat with fabric cover, air suspension
Centre passenger's seat	Urethane foam pads & foldaway type with seat back tray, fabric cover (except for FG8JF1A-WHU)
Seat belt	3-point type on driver's & side passenger's seat 2-point type on centre passenger seat
Sun visor and overhead console	For driver & passenger sides
Windshield wipers	Electric, dual, intermittent & 2-speed
Ventilator	Forced type by electric blower
Rear view mirrors	External: Electric Control & heated flat type, Convex spotters both sides and Left side kerb view
12V/120w Socket	Equipped
Floor mat	Vinyl type
Central locking & keyless entry	Equipped
Heater and defroster	Standard
Air conditioner	Standard
Trim	Full trim type (side, roof & back)
Cab pockets	Equipped on both door sides
Power windows	Equipped
Rest area	Equipped
Audio/visual display	DAB+ AM/FM radio with CD & DVD player, Bluetooth and Reverse Camera Display
Speakers	Driver & passenger
Foot rest	Equipped
Easy Start	Manual Models only
Cup holders	Equipped
Cruise control	Equipped

ELECTRICAL

Type	24V, negative earth
Batteries	12V x 2, series connection, 120 Ah
Alternator Type	Brushless, with built-in regulator
Capacity	24V, 90 Amp
Starter Type	24V, 5.0 kW
Headlamps	Halogen type with manual levelling
High/low beam	Equipped
LED Fog Lamps (white)	Equipped
Fluorescent Reading Lamp	Equipped
Electric air horn	Equipped

POWER & TORQUE CHART (ISO Net) J08E-WA

J08E-WA



INSTRUMENTS

Meters Speedometer Tachometer LCD Gauges Air pressure (2) Fuel AdBlue® Engine Temperature Odometer plus trip meter Multi Information Display (MID) Fuel Consumption Service reminders Warnings Faults	Additional Switches & Controls External flat mirror Control Easy Start Rate Control (Manual models only) Idle up Control Quick warm up switch VSC/ASR off switch Hino Stop Start System off switch (Manual models only) Eco Run (Manual models only) Headlight Levelling Fog Lamp
---	---

CHASSIS FRAME

Wheelbase variants	S, M & ML	L, XL & XXL
Type	Ladder-shaped channel section side rails with Grid hole design	
Chassis outer width (at rear)	840mm	
Main section (mm)	275 x 80 x 7.0	277 x 80 x 8.0
Depth x flange x Thickness		
Tensile strength	620 N/mm ² (63 kgf/mm ²)	
Front Underrun Protection (FUP)	Equipped	
Front and rear tow hook	Equipped	

GENUINE ACCESSORY OPTIONS

Bull bar	GPS Satellite Navigation
Stoneguard	External Vision Cameras (additional 2)
Sunvisor	LED Driving Lights
Seat covers	Hino Traq (Telematics)
Floor mats	Engine driven PTO
Dash mats	1:0.72 step-down
Weather shields	or 1:1.08 step-up

Please check with your dealer for price, availability & fitment for these options

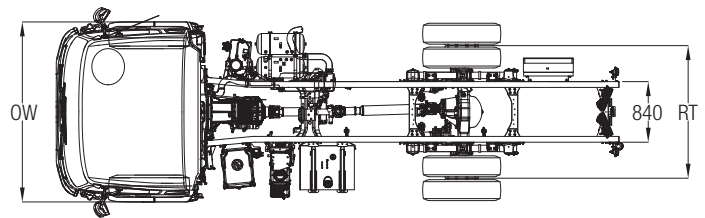
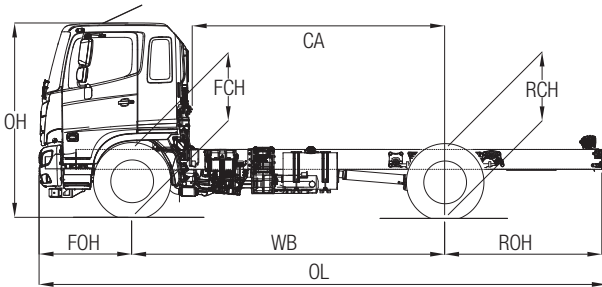
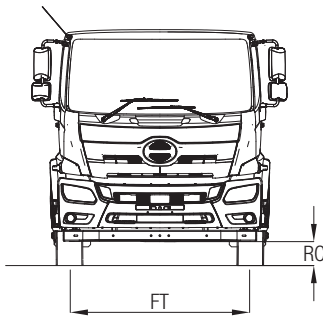


FG 1628

500 Series

Dimensions

DIMENSIONS – mm/capacities



Model	FG 1628									
	SHORT	MEDIUM		MEDIUM LONG	LONG	X LONG		XX LONG		
Transmission	AUTO	AUTO	MANUAL	AUTO	AUTO	MANUAL	AUTO	MANUAL	AUTO	MANUAL
Model Code	FG8JF1A WHU	FG8JJ1A WHU	FG8JJ1A UHU	FG8JM1A WHU	FG8JP1A WHU	FG8JP1A UHU	FG8JS1A WHU	FG8JS1A UHU	FG8JT1A WHU	FG8JT1A UHU
Wheelbase (WB)	3,730	4,330		5,080	5,530		6,130		6,430	
Max Nominal Body length # (WB x 0.6 (up to 3.7) + CA – 80)	4,930	6,010		7,210	7,930		8,890		9,220	
Overall Length (OL)	7,095	7,845		8,895	9,445		11,045		11,245	
Overall Width (OW)	2,490									
Overall Height (OH)	2,765		2,760							
Cab to Rear Axle Centre (CA)	2,775	3,500		4,250	4,700		5,300		5,600	
Front Overhang (FOH)	1,280									
Rear Overhang (ROH)	2,025	2,175		2,475	2,575		3,575		3,475	
Front Chassis Height (FCH)	1,015									
Rear Chassis Height (RCH)	1,065			1,050						
Road Clearance (RC)	260									
Front Track (FT)	2,050									
Rear Track (RT)	1,835									
Turning Circle Kerb to Kerb Wall to Wall	13,200 14,800	15,000 16,600		17,400 19,000	18,600 20,200		20,600 22,200		21,400 23,000	
Indicative Chassis Mass – kg (10 litres of fuel & spare tyre and subject to ± 3% Tolerance)										
Total	5,437	5,446	5,431	5,560	5,680	5,625	5,780	5,730	5,795	5,745
Front	3,456	3,505	3,465	3,543	3,593	3,548	3,603	3,558	3,633	3,588
Rear	1,981	1,976	1,966	2,017	2,087	2,077	2,177	2,172	2,162	2,157
GVM	16,000									
GCM	32,000									

ROH may need to be extended to suit body length and rear overhang is limited to 3.7m

WARRANTY

New vehicle warranty period

Medium Duty Model	Axle configuration	Standard warranty (whichever comes first)	Cab corrosion perforation
500 FG 1628	4 x 2	3 years or 150,000km	36 months

Battery warranty – 12 months from date of delivery

Genuine parts or accessories warranty – 3 years unlimited kilometres when fitted by an authorised Hino dealer *

* For conditions, refer to the Hino Parts & Service warranty brochure



DISCLAIMER

Important notice. Hino Trucks are distributed in Australia by Hino Motor Sales Australia Pty Ltd A.C.N. 064 989 724.

All efforts have been made to ensure the information contained in this brochure was correct at time of printing or uploading. Hino Motor Sales Australia Pty Ltd reserves the right to alter any details of the specifications & equipment without notice. Hino in so far as it is permitted by law to do so, shall not be liable in any way as a result of any reliance placed by any person on anything contained in this brochure. You should therefore check with your authorised Hino dealer at the time of ordering your motor vehicle to ensure that colour, specifications, equipment, design features & options are available for the vehicle you are ordering. Please note that some options may only be available in combination with others. Authorised Hino dealers will on request provide up to date information on all accessories, design features, prices & availability.

HSMY17FG1628-0217